



Tank Utility  
Cellular Tank Level Monitor  
Installation Instructions for Qualified Fuel Professionals

## COMPATIBILITY

### PROPANE

The Tank Utility remote level monitor can be installed on all tanks equipped with a Remote-Ready Dial.

### DIAL REPLACEMENT

Tank Utility sells and supports the installation of replacement Remote-Ready Dials. For propane tanks, this upgrade can often be completed without depressurizing the tank. Professional installation by a delivered fuel professional is recommended.

Go to <http://www.tankutility.com/support> to make sure the Tank Utility Monitor is compatible with your tank.

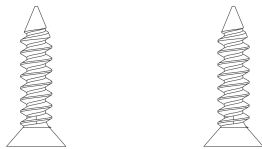
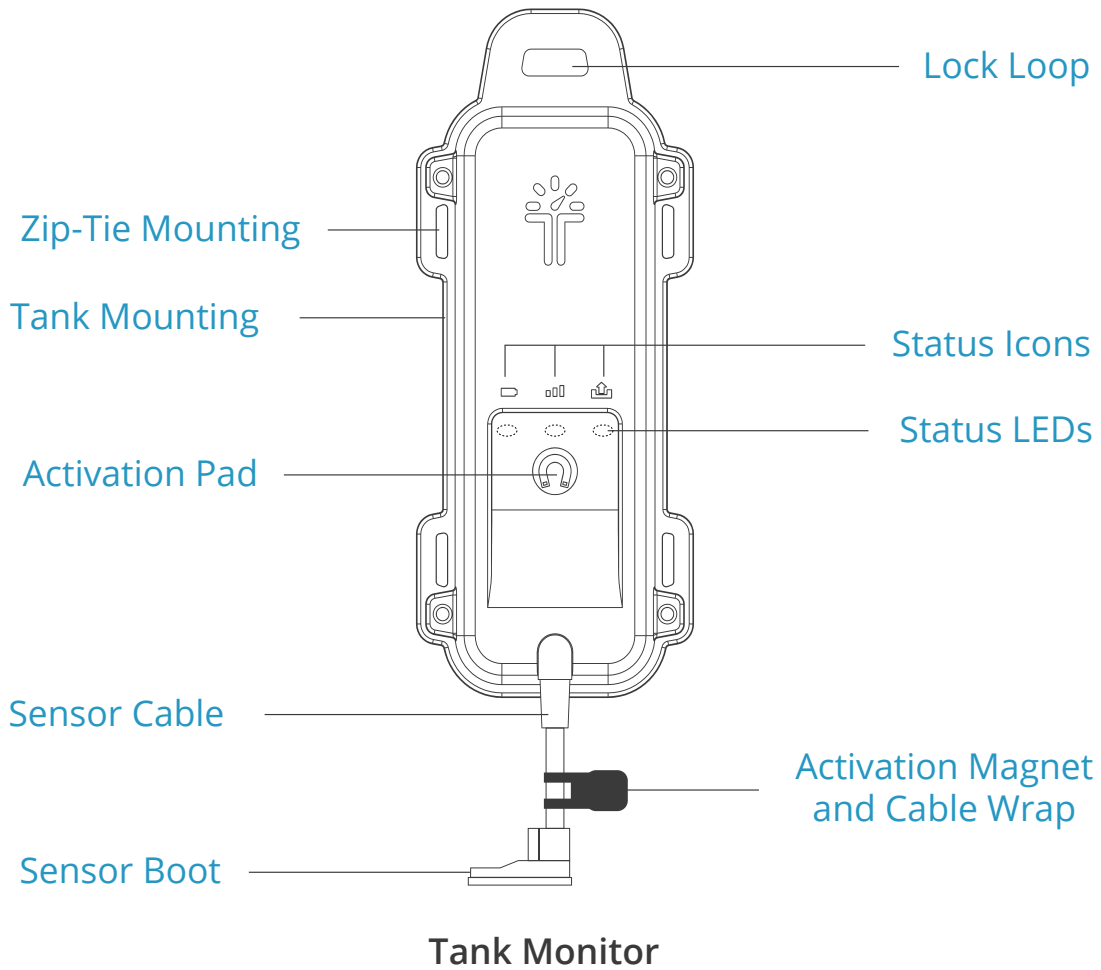
### FUEL OIL AND OTHER COMMODITIES

The Tank Utility remote level monitor can be installed on most standard residential 275 gallon and 330 gallon tanks with the addition of a compatible mechanical float. Tank Utility sells and supports the installation of these floats.

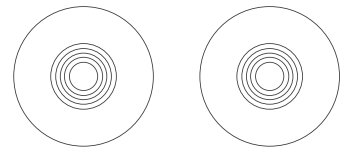
## WATCH THE VIDEO

Before you start, watch the installation video at <http://www.tankutility.com/cell-setup>

# CONTENTS



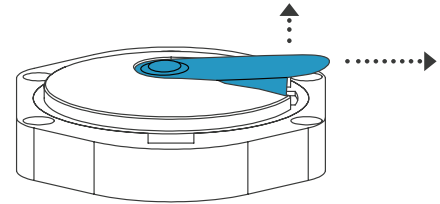
**Self-Tapping Mounting Screws**



**Mounting Washers**

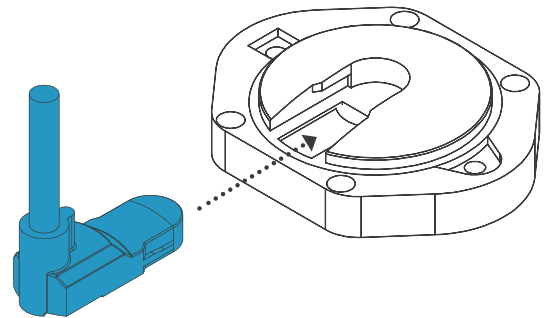
## STEP 1: Attaching The Sensor To Your Tank's Dial

If your Remote-Ready Dial has a black **dust cap**, you will first need to remove it by simultaneously pulling up on the tab while sliding the dust cap out of the dial.



If applicable, route the cable through the hole in the tank's collar or lid.

Slide the **sensor** into the dial slot until you feel it click.



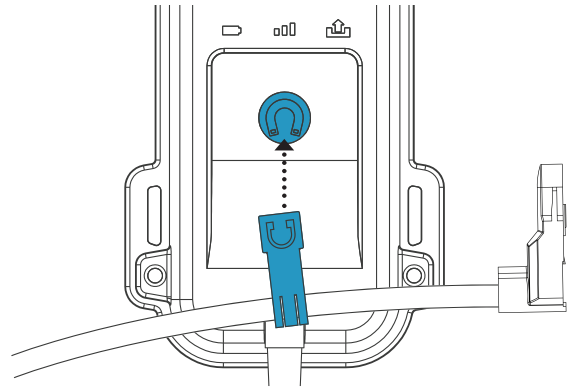
## STEP 2: Turn Your Monitor On And Prompt A Reading

Hold the **activation magnet** (attached to the cable) to the **activation pad** (denoted by the magnet icon) on the monitor for 3 seconds, then remove when the 3 LEDs **blink aqua blue**. This will turn the monitor on and send a reading.

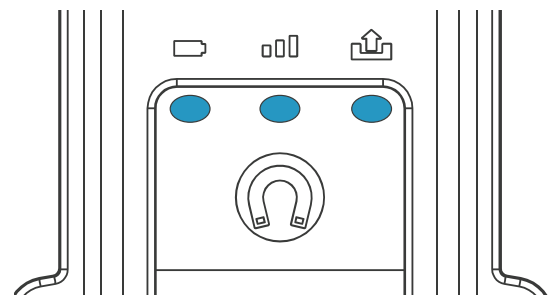
The LEDs will flash in succession as the monitor attempts to send a reading. When all 3 LEDs are **solid aqua blue**, a reading was sent successfully.

**NOTE:** *It may take up to five minutes to establish cellular connection.*

Please refer to the “Troubleshooting” section of this guide if your monitor shows any red LEDs. ⚠



*Hold the magnet to the activation pad.*

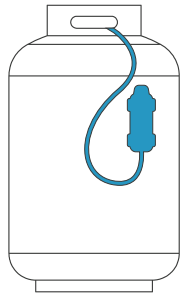


*Successful reading confirmation shown by 3 solid aqua blue LEDs.*

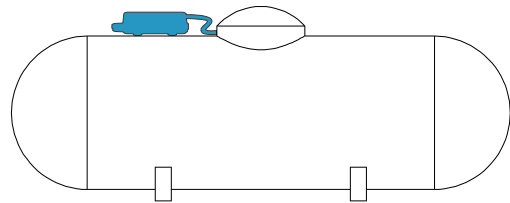
### STEP 3: Mount The Monitor

#### FOR ABOVE GROUND TANKS

The underside of the monitor has two protruding magnetic feet which can be used to mount the monitor on either the tank or the lid.



On **vertical tanks**, mount the monitor with the cable pointing downwards.

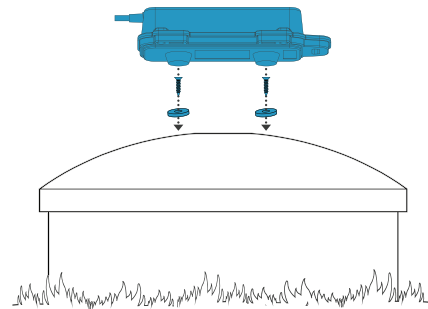


On **horizontal tanks**, mount the monitor on top of the tank.

**NOTE:** Do not place the tank monitor under a steel lid or inside the collar since this can prevent the monitor from connecting to the cellular network.

#### FOR BELOW GROUND TANKS

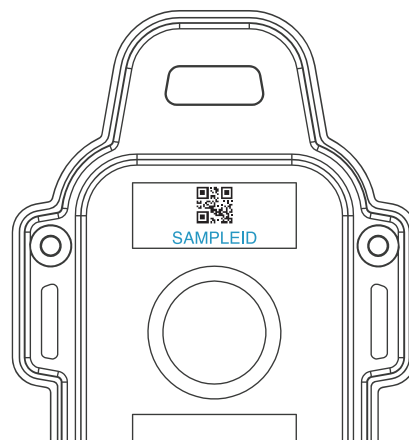
It is best to securely attach the monitor to the top of the lid. If the lid is not metal, use the included **self-tapping screws** to attach the **mounting washers** to the non-metal lid to provide a place for magnet mounting.



## STEP 4: Configure The Device In The Tank Utility Portal

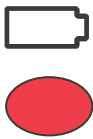
Your monitor is already associated with your Tank Utility account. To edit the details of the monitor, go to <http://portal.tankutility.com> and login with your credentials.

Your monitor will appear in the portal when a reading is sent. You can identify the monitor with the **8 digit ID number** on the back of your device.



## Troubleshooting Setup ⚠️

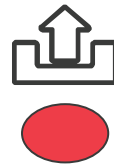
When the monitor is prompted to send a reading each LED will blink in succession. Each LED will turn aqua blue when the corresponding step is completed. If a problem is encountered, the LED will turn red.



**BATTERY VOLTAGE**  
The batteries need to be replaced.



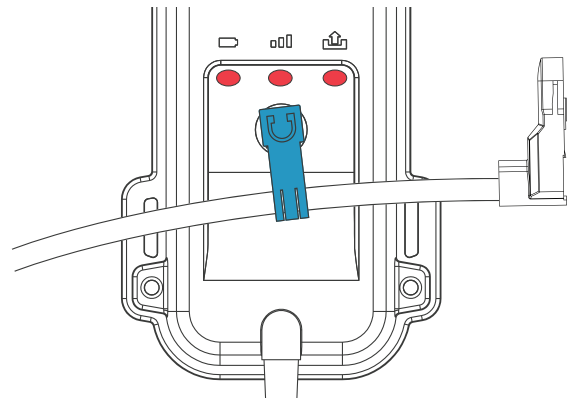
**CELL SIGNAL STRENGTH**  
The monitor cannot connect to the cellular network because the signal is not strong enough.



**READING CONFIRMATION**  
The monitor has not received a confirmation of a successful reading.

## To Turn Off The Tank Monitor

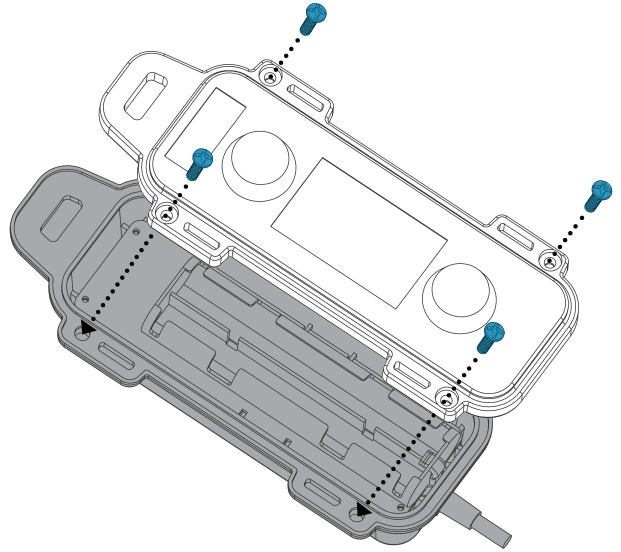
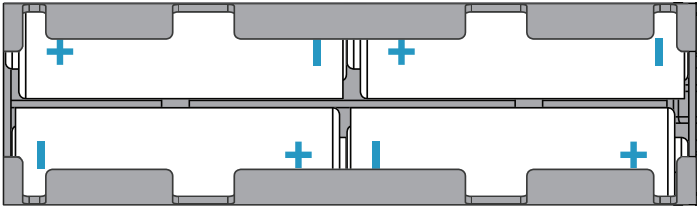
This will prevent the monitor from sending additional readings. Hold the **activation magnet** over the **activation pad** for approximately 15 seconds until all 3 LEDs are red. Remove the activation magnet while all 3 LEDs are red.





## Battery Replacement

To replace your batteries, remove the 4 screws from the tabs on the enclosure and remove the lid. Batteries must be unused Energizer Ultimate Lithium L91. Using used batteries or a different make/models void the warranty.



# Tank Utility, Inc.

## Two Year Limited Warranty

**THIS LIMITED WARRANTY CONTAINS IMPORTANT INFORMATION ABOUT YOUR RIGHTS AND OBLIGATIONS, AS WELL AS LIMITATIONS AND EXCLUSIONS THAT MAY APPLY TO YOU.**

### **1. WHAT THIS LIMITED WARRANTY COVERS; PERIOD OF COVERAGE**

Tank Utility, Inc. ("Tank Utility"), P.O. Box 121134, Boston, Massachusetts USA, warrants to the owner of the enclosed product that the product contained in this box ("Product") will be free from defects in materials and workmanship for a period of two (2) years from the date of delivery following the original retail purchase (the "Warranty Period"). If the Product fails to conform to this Limited Warranty during the Warranty Period, Tank Utility will, at its sole discretion, either (a) repair or replace any defective Product or component; or (b) accept the return of the Product and refund the money actually paid by the original purchaser for the Product. Repair or replacement may be made with a new or refurbished product or components, at Tank Utility's sole discretion. If the Product or a component incorporated within it is no longer available, Tank Utility may, at Tank Utility's sole discretion, replace the Product with a similar product of similar function. This is your sole and exclusive remedy for breach of this Limited Warranty. Any Product that has either been repaired or replaced under this Limited Warranty will be covered by the terms of this Limited Warranty for the longer of (a) ninety (90) days from the date of delivery of the repaired Product or replacement Product, or (b) the remaining Warranty Period. This Limited Warranty is transferable from the original purchaser to subsequent owners, but the Warranty Period will not be extended in duration or expanded in coverage for any such transfer.

### **2. TOTAL SATISFACTION RETURN POLICY**

If you are the original purchaser of the Product and you are not satisfied with this Product for any reason, you may return it in its original condition within thirty (30) days of the original purchase and receive a full refund.

### **3. WARRANTY CONDITIONS; HOW TO GET SERVICE IF YOU WANT TO CLAIM UNDER THIS LIMITED WARRANTY**

Before making a claim under this Limited Warranty, the owner of the Product must (a) notify Tank Utility of the intention to claim by visiting [tankutility.com/support](http://tankutility.com/support) during the Warranty Period and providing a description of the alleged failure, and (b) comply with Tank Utility's return shipping instructions. Tank Utility will have no warranty obligations with respect to a returned Product if it determines, in its reasonable discretion after examination of the returned Product, that the Product is an Ineligible Product defined below).

### **4. WHAT THIS LIMITED WARRANTY DOES NOT COVER**

This Limited Warranty does not cover the following (collectively "Ineligible Products"): Products marked as "sample" or "Not for Sale"; or sold "AS IS"; or Products that have been subject to: (a) modifications, alterations, tampering, or improper maintenance or repairs; (b) handling, storage, installation, testing, or use not in accordance with instructions provided by Tank Utility; (c) abuse or misuse of the Product; (d) breakdowns, fluctuations, or interruptions in electric power or the telecommunications network; or (e) Acts of God, including but not limited to lightning, flood, tornado, earthquake, or hurricane. This Limited Warranty does not cover consumable parts, including batteries, unless damage is due to defects in materials or workmanship of the Product, or software (even if such consumable parts or software are packaged or sold with the product). Tank Utility recommends that you use only authorized service providers for maintenance or repair. Unauthorized use of the Product or software can impair the Product's performance and may invalidate this Limited Warranty.

## **5. DISCLAIMER OF WARRANTIES**

EXCEPT AS STATED ABOVE IN THIS LIMITED WARRANTY, AND TO THE MAXIMUM EXTENT PERMITTED BY APPLICABLE LAW, TANK UTILITY DISCLAIMS ALL EXPRESS, IMPLIED, AND STATUTORY WARRANTIES AND CONDITIONS WITH RESPECT TO THE PRODUCT, INCLUDING THE IMPLIED WARRANTIES OF MERCHANTABILITY AND FITNESS FOR A PARTICULAR PURPOSE. TO THE MAXIMUM EXTENT PERMITTED BY APPLICABLE LAW, TANK UTILITY ALSO LIMITS THE DURATION OF ANY APPLICABLE IMPLIED WARRANTIES OR CONDITIONS TO THE DURATION OF THIS LIMITED WARRANTY.

## **6. LIMITATION OF DAMAGES**

IN ADDITION TO THE ABOVE WARRANTY DISCLAIMERS, IN NO EVENT WILL TANK UTILITY BE LIABLE FOR ANY CONSEQUENTIAL, INCIDENTAL, EXEMPLARY, OR SPECIAL DAMAGES, INCLUDING ANY DAMAGES FOR LOST DATA OR LOST PROFITS, ARISING FROM OR RELATING TO THIS LIMITED WARRANTY OR THE PRODUCT, AND TANK UTILITY'S TOTAL CUMULATIVE LIABILITY ARISING FROM OR RELATED TO THIS LIMITED WARRANTY OR THE PRODUCT WILL NOT EXCEED THE AMOUNT ACTUALLY PAID FOR THE PRODUCT BY THE ORIGINAL PURCHASER.

## **7. LIMITATION OF LIABILITY**

THE TANK UTILITY ONLINE SERVICES ("SERVICES") PROVIDE YOU INFORMATION ("PRODUCT INFORMATION") REGARDING YOUR TANK UTILITY PRODUCTS OR OTHER PERIPHERALS CONNECTED TO YOUR PRODUCTS ("PRODUCT PERIPHERALS"). THE TYPE OF PRODUCT PERIPHERALS THAT MAY BE CONNECTED TO YOUR PRODUCT MAY CHANGE FROM TIME TO TIME. WITHOUT LIMITING THE GENERALITY OF THE DISCLAIMERS ABOVE, ALL PRODUCT INFORMATION IS PROVIDED FOR YOUR CONVENIENCE, "AS IS", AND "AS AVAILABLE". TANK UTILITY DOES NOT REPRESENT, WARRANT, OR GUARANTEE THAT PRODUCT INFORMATION WILL BE AVAILABLE, ACCURATE, OR RELIABLE OR THAT PRODUCT INFORMATION OR USE OF THE SERVICES OR PRODUCT WILL PROVIDE SAFETY IN YOUR HOME. YOU USE ALL PRODUCT INFORMATION, THE SERVICES, AND THE PRODUCT AT YOUR OWN DISCRETION AND RISK. YOU WILL BE SOLELY RESPONSIBLE FOR (AND TANK UTILITY DISCLAIMS) ANY AND ALL LOSS, LIABILITY, OR DAMAGES, INCLUDING TO YOUR WIRING, FIXTURES, ELECTRICITY, HOME, PRODUCT, PRODUCT PERIPHERALS, COMPUTER, MOBILE DEVICE, AND ALL OTHER ITEMS AND PETS IN YOUR HOME, RESULTING FROM YOUR USE OF THE PRODUCT INFORMATION, SERVICES, OR PRODUCT. PRODUCT INFORMATION PROVIDED BY THE SERVICES IS NOT INTENDED AS A SUBSTITUTE FOR DIRECT MEANS OF OBTAINING THE INFORMATION. FOR EXAMPLE, A NOTIFICATION PROVIDED THROUGH THE SERVICE IS NOT INTENDED AS A SUBSTITUTE FOR AUDIBLE AND VISIBLE INDICATIONS IN THE HOME AND ON THE PRODUCT, NOR FOR A THIRD PARTY MONITORING SERVICE THAT MONITORS ALARM STATE.

## **8. YOUR RIGHTS AND THIS LIMITED WARRANTY**

This Limited Warranty gives you specific legal rights. You may also have other legal rights that vary by state, province, or jurisdiction. Likewise, some of the limitations in this Limited Warranty may not apply in certain states, provinces or jurisdictions. The terms of this Limited Warranty will apply to the extent permitted by applicable law. For a full description of your legal rights you should refer to the laws applicable in your jurisdiction and you may wish to contact a relevant consumer advisory service.

Tank Utility, Inc.  
(802) 393-8265  
Support@TankUtility.com