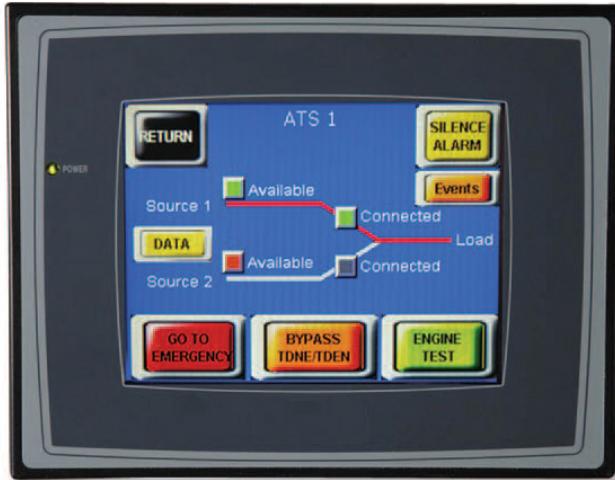


**Annunciator -
Single & Multi Switch**

Power Series Transfer Switch

Remote Annunciator



Annunciator
Single and Multiswitch
Monitor, Test, and Control
50/60 Hz
UL Recognized Component

APPLICABLE TEST STANDARDS:

The ATC Annunciator conforms to the following test standards:

- IEC 61000-4-2 Electrostatic Discharge test
- IEC 61000-4-3 Radiated Susceptibility tests
- IEC 61000-4-4 Fast Transient tests
- IEC 61000-4-5 Surge Withstand tests
- IEC 61000-4-6 Conducted Susceptibility

DESCRIPTION:

The remote annunciator controller provides users with the ability to remotely monitor and control multiple transfer switches from one intuitive, touchscreen. The remote annunciator controller connects to either Generac's ATC-900 or ATC-300+ controller via Modbus® 485 serving as an extension of the transfer switch controller. The color touchscreen displays a mimics bus for source availability and source position. The annunciator is equipped with Modbus® RTU and remote control capability including: transfer to source 2, engine test, time delay bypass, audible or silent alarm, and manual retransfer compliant with NFPA 110 for panel-mounted control switches.

The monitoring also includes display of source 1 and source 2 voltages on each phase and frequency along with date-and time-stamped alarm history. The user is able to assign designations for each switch with password protection for all control functions.

The remote annunciator monitors and controls one to four transfer switches and meets the City of Chicago Electric Code. The remote annunciator provides the visibility into source availability and the system security to be confident in the system reliability.

Annunciator - Single & Multi Switch

STANDARD FEATURES:

- Monitors and controls one to four transfer switches
- Mimics bus display for source availability, source position and preferred source monitoring
- Audible alarm with alarm silence option when on source 2
- Remote control features include transfer to source 2, engine test, time delay bypass and alarm silence
- Six-inch color touch-screen display
- User-assignable transfer switch designations
- Password protection for all control functions
- Flush mounted
- Modbus® RTU
- Date-and-time-stamped alarm history

MONITORING FUNCTIONS:

- S1 & S2 Available
- S1 or S2 Connected
- S2 Connected Alarm
- Source 1 Data Information
- Source 2 Data Information
- Non-Auto Status
- Engine Test Status
- History of Alarms

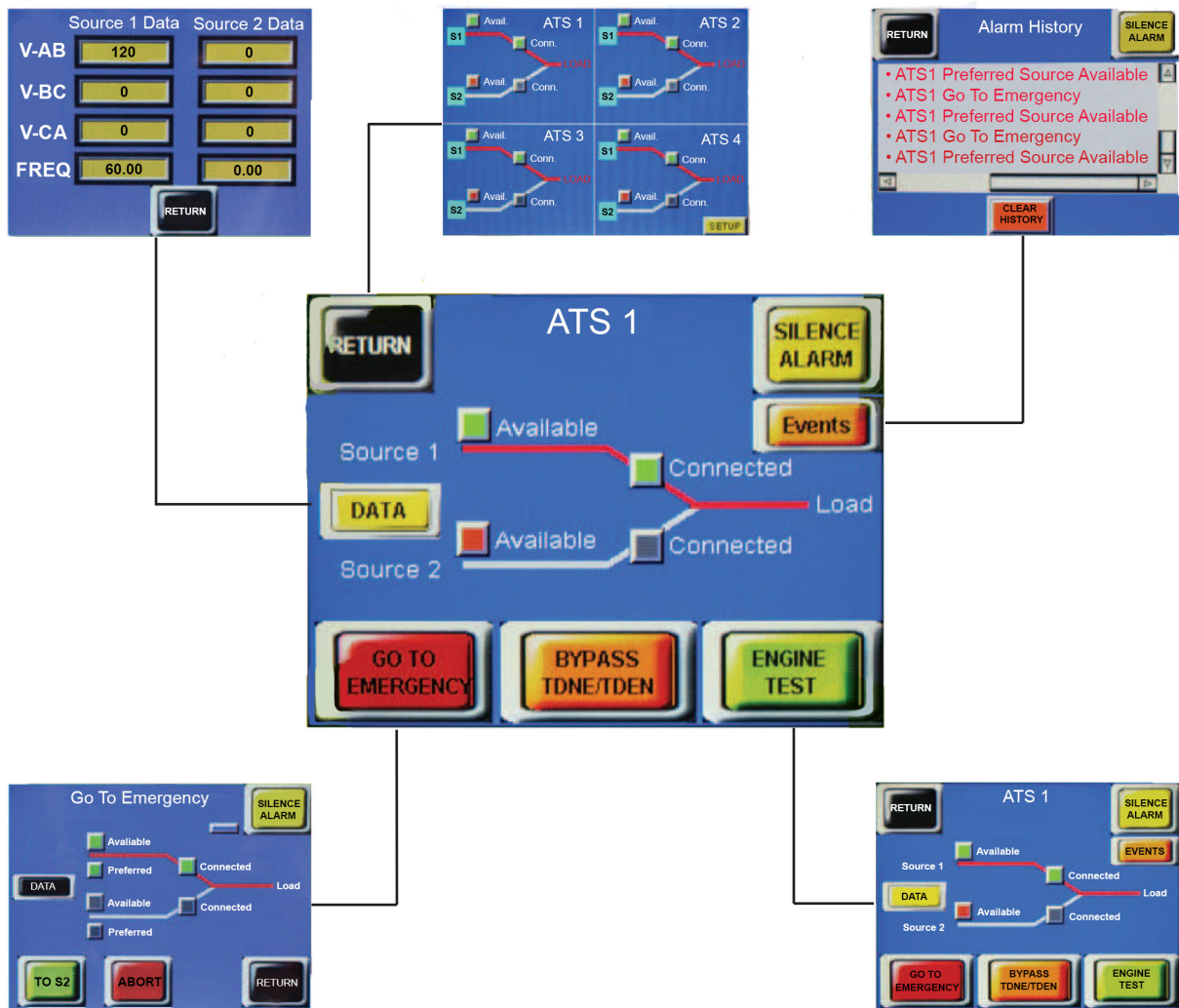
CONTROL FUNCTIONS:

- Go to Source 2 (Emergency)
- Go to Source 2 Abort
- Engine Test
- Engine Test Abort
- Silence Alarm
- Bypass TDNE/TDEN
- Manual Retransfer

ALARM MESSAGES:

- Overvoltage
- Undervoltage
- Over Frequency
- Under Frequency
- Plant Exerciser
- Engine Test
- Remote Engine Test
- Voltage Unbalance
- Phase Reversal

Annunciator - Single & Multi Switch



ATS individual unit screen

- Monitor source availability, source position indication, alarm status, ATS in test, communication status, and ATS in non-automatic mode for a single transfer switch
- Initiate peak shaving and engine tests, bypass time delays, and silence audible alarms

ATS multi-unit screen

- Monitor source availability, source position and alarm status for up to four transfer switches
- Password-protected setup screen for transfer switch designations
- Access to the ATS individual unit home screen

Engine test screen

- Provides password protected control to start and abort an engine test. The engine test will run according to the controller-programmed set points for duration and with or without load
- Provides control to bypass the source 1 to source 2 and source 2 to source 1 time delays

Go to emergency screen (Peak Shaving) (Storm Mitigation)

- Provides password protected control to force transfer to source 2 regardless of the condition of source 1. This feature

is failsafe, meaning the ATS will automatically return to source 1 in the event of a source 2 failure.

- Provides control to bypass the source 1 to source 2 and source 2 to source 1 time delays

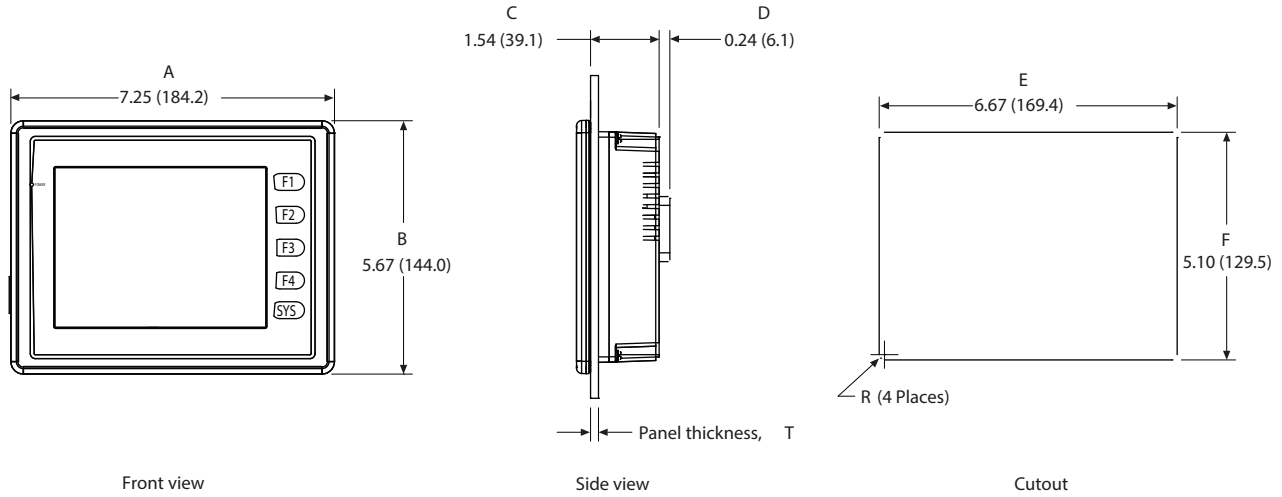
Alarm screen

- Monitor all alarm messages with the touch of a button right from the HMI display. Alarm messages include:
 - Source 2 closed (audible alarm)
 - Overvoltage
 - Undervoltage
 - Overfrequency
 - Plant exerciser
 - Engine test
 - Remote engine test
 - Voltage unbalance
 - Phase reversal
 - Go to emergency
 - Lockout
 - Failed to sync (phase angle)
 - Failed to sync (frequency difference)
 - Engine test or plant exercise
 - Source 1 error
 - Source 2 error

Annunciator - Single & Multi Switch

Dimensions

Approximate Dimensions in Inches (mm)



Dimension A	Dimension B	Dimension C	Dimension D	Dimension E +0.04 (1.0) - 0	Dimension F +0.04 (1.0) - 0	Radius R	Panel Thickness T
7.25 (184.2)	5.67 (144.0)	1.54 (39.1)	0.24 (6.1)	6.67 (169.4)	5.10 (129.5)	0.12 (3.0)	0.06 - 0.12 (1.5 - 3.0)